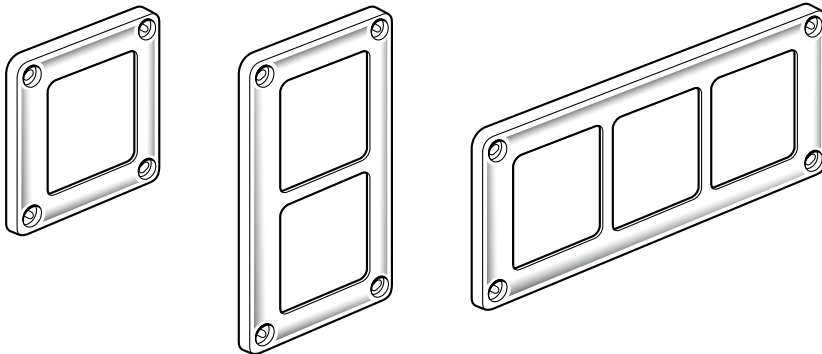


Soliroc™ IK10 vandalproof Plates, seals, frames, plugs

Cat. Nos.: 778 51/52/53/85/86/87/90/92/96



CONTENTS	Page
1. Use	1
2. Range	1
3. Overall dimensions	2
4. Installation	2-3
5. Technical data	3
6. Cleaning	3
7. Accessories	3

1. USE

The new Soliroc™ IK10 programme guarantees robust impact resistance in environments that are hazardous or unsupervised, whether indoors or outdoors (warehouses, public buildings, motorway services, offices, shops, schools, confinement institutions, prisons, etc.).
Finishing plates made of chrome-plated metal alloy guaranteeing robustness as well as a good resistance to scratches, graffiti, tags and lighter flame. 1-gang, 2-gang or 3-gang plates (horizontal or vertical mounting). Plates supplied with a set of 4 plugs.

The 5 commitments of the SOLIROC range.

Security: The IK10 rating (20-joule impact force) guarantees optimal impact resistance and protection against vandalism. It is impossible to tear off a SOLIROC product due to the use of four zamak sealing plugs pressed into the plate (removable only by drilling)..

Reliability: The IP55 rating guarantees a long useful lifetime, whether indoors or outdoors. All external parts are made of zamak for optimal robustness.

Practicality: The plate is thin, thereby limiting the amount of possible grip and reducing the risk of it being torn off. Minimal space exists between parts, guaranteed by the IP5X rating (impenetrable by solid bodies greater than 1 mm and protected against dust).

Installation: Depends on the nature of the building. We recommend using 50 mm-deep multi-material or concrete BATIBOX mounting boxes (40 mm accepted). To guarantee the best tear-off resistance:

- Attach the SOLIROC plates using 4 standard screws (4 mm diameter, 35 mm length).
- Select wall plugs according to the nature of the walls. For concrete walls, we recommend expanding nylon wall plugs (6 mm diameter).

Quality control: factory inspection according to ISO 9001/9002 procedures.

2. RANGE

Plates	Boxes	Support frames	Surface-mounting frames
778 51 Weight: 175 g	Multi-material 801 01/21	 802 51 802 61/69	 778 90 Weight: 262 g
	Masonry 801 41/51/61		
	Concrete 819 40/41		

2. RANGE (continued)

Plates	Boxes	Support frames	Surface-mounting frames
778 52 Weight: 225 g	Multi-material 801 22	 802 52 (horizontal only)	 778 92 Weight: 374 g
	Masonry 801 42		
	Concrete 819 42	 2 x 802 51	
	 2 x 819 41		

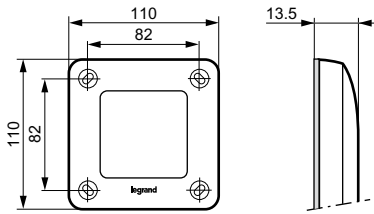
Plates	Boxes	Support frames
778 53 Weight: 340 g	Multi-material 801 03/23	 802 53 (horizontal only)
	Masonry 801 43	
	Concrete 3 x 819 41	

Soliroc™ IK10 vandalproof Plates, seals, frames, plugs

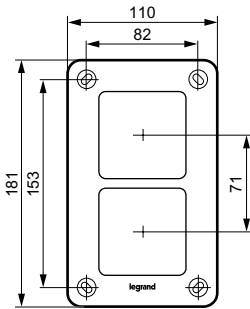
Cat. Nos.: 778 51/52/53/85/86/87/90/92/96

3. OVERALL DIMENSIONS

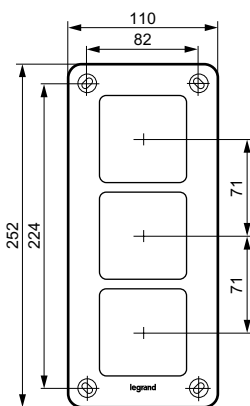
- 778 51 - 1-gang



- 778 52 - 2-gang (horizontal or vertical)



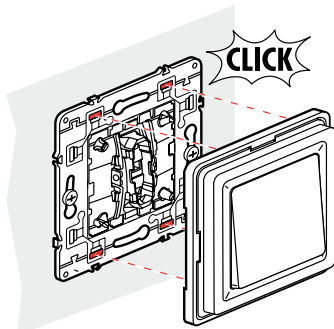
- 778 53 - 3-gang (horizontal or vertical)



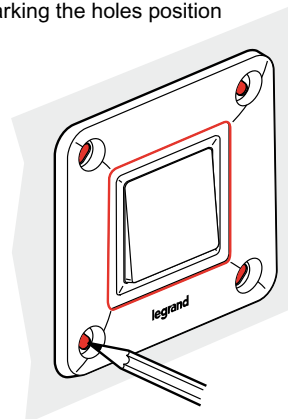
4. INSTALLATION

4.1 Assembly

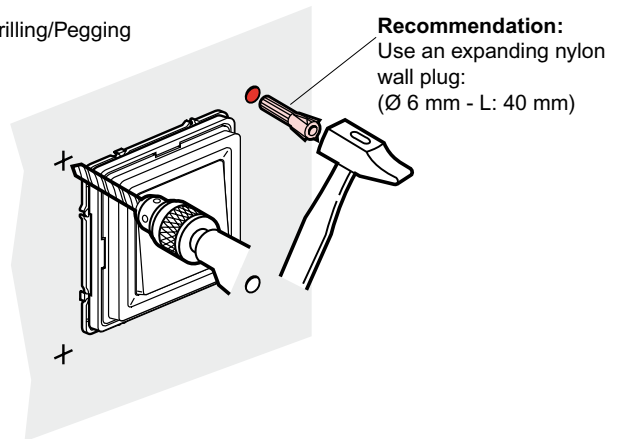
- Clipping on the cover plate



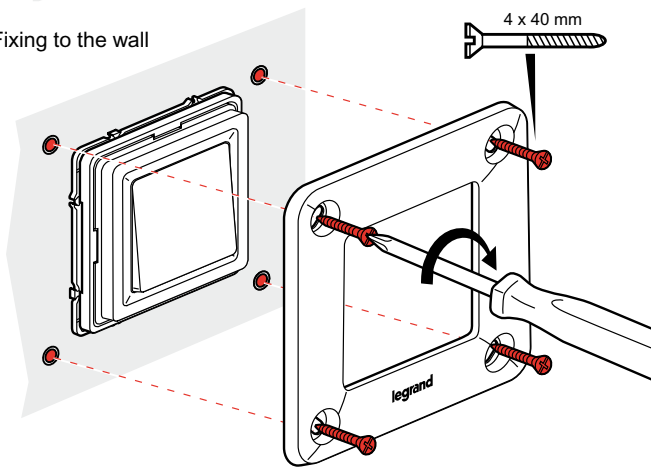
- Marking the holes position



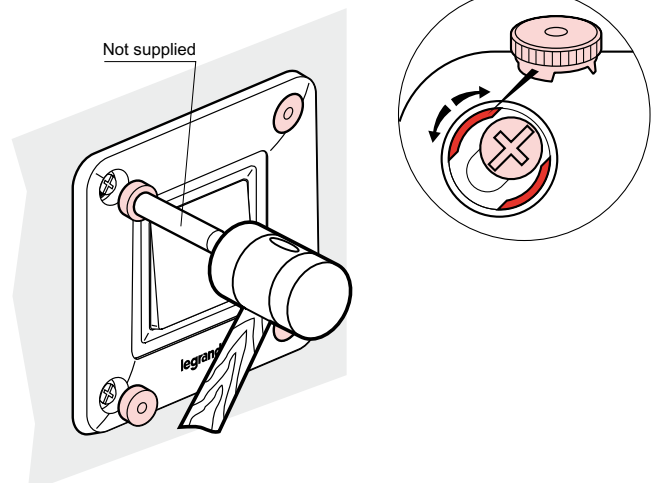
- Drilling/Pegging



- Fixing to the wall

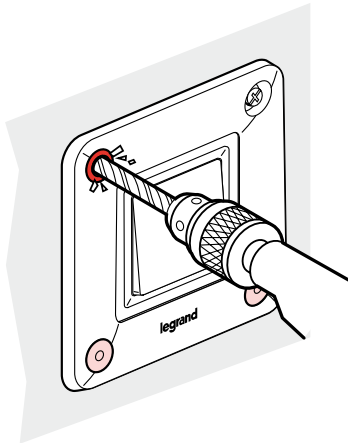


- Mounting the supplied plugs



4. INSTALLATION (continued)

4.2 Disassembly



5. TECHNICAL DATA

5.1 Mechanical characteristics

Protection index: IP55

Except Cat. Nos. 778 32/36/81/82/91 which are IP20

Protection index: IK 10 vandalproof

Max. impact resistance. All products withstand a 20-joule impact force.

Max. tear-off resistance.

Curved shape of the plate to limit the amount of possible grip.

5.2 Material characteristics

Plaque : zamak

Sub-plate: polycarbonate

Surface treatment: copper plating + acid copper plating + matt nickel plating + approximately 0.1 mm thick chrome plating

Colour: matt chrome grey.

5.3 Electrical characteristics

Self extinguishing: 650° C in 30 s

Since the products are insulated, grounding is not necessary.

5.4 Climatic characteristics

Storage temperature: - 10°C to + 70°C

Operating temperature: - 5°C to + 40°C

6. MAINTENANCE CLEANING

Bound to cleaning agents without damage agents as:

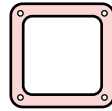
Hexane, Alcohol burning, Agent for the window, Washing diluted bleach 10%, Graffiti remover, Acetone, White spirit, Gasoline F.

7. ACCESSORIES

7.1 Foam seals

Material: EPDM (Ethylene, Propylene, Diene, Monomer).

Compensates for major wall defects.



778 85
1-gang



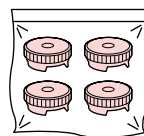
778 86
2-gang (horizontal/vertical)



778 87
3-gang (horizontal/vertical)

7.2 Sealing plug

Spare plugs delivered in bags of 4, with 5 bags to a box and 10 boxes to a carton.



778 96

7.3 Surface mounting frames

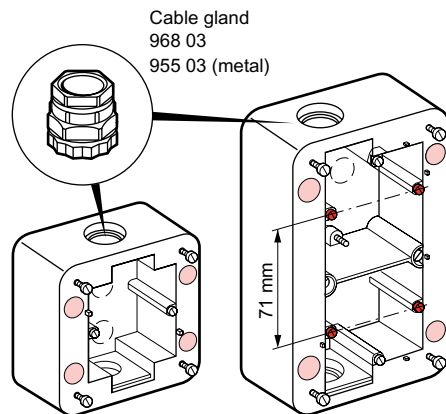
Material: polyester

Max depth: 38 mm

ISO 20 cable glands can be mounted:

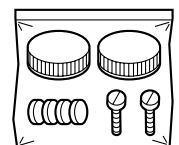
Cat. No. 968 03 (+ nut 968 43) and Cat. No. 955 03 (+ nut 979 83)

Tested according to the flame of the lighter.



778 90
1-gang

778 92
2-gang (horizontal/vertical)



Supplied with a bag containing 6 plugs and 2 screws.

! Key-operated switches 778 74/75 can not be mounted with surface-mounting frames.